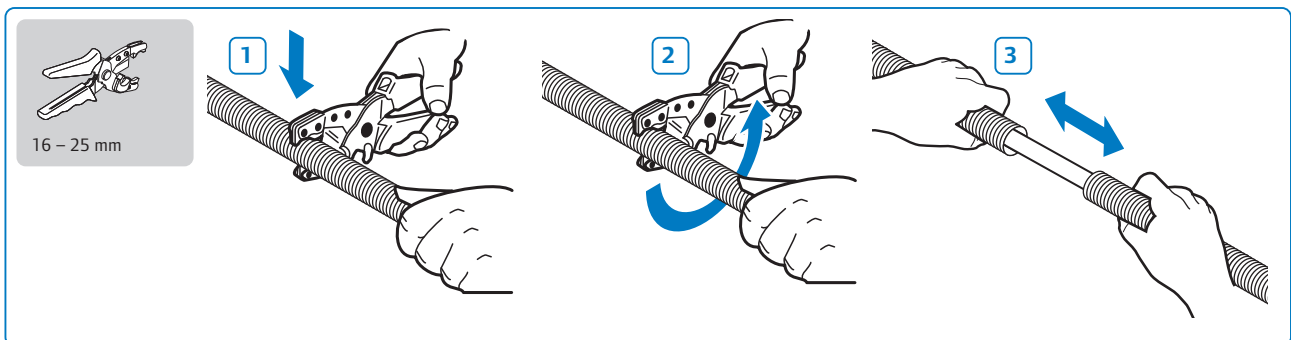
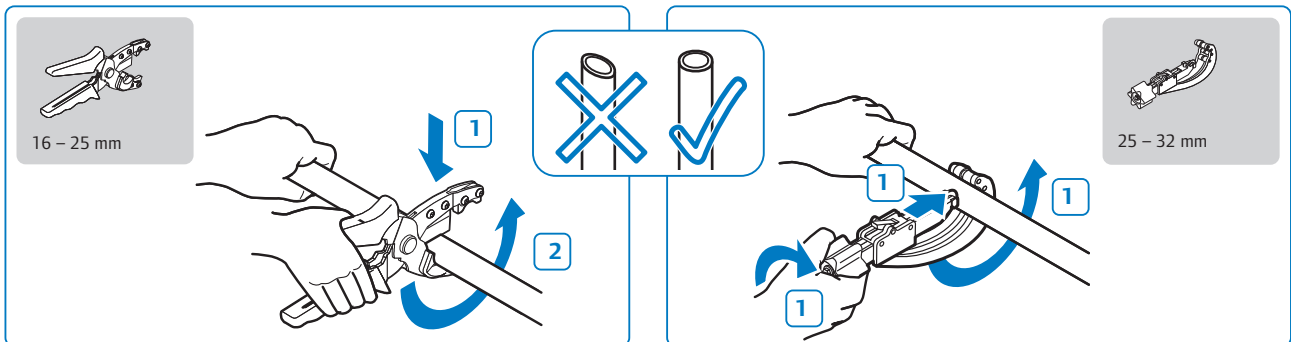


Installation manual

Uponor Uni Pipe PLUS 16 – 32 mm



Dim. [mm]	L _{max} [m]	
16 x 2,0	1,20	2,00
20 x 2,25	1,30	2,30
25 x 2,5	1,50	2,60
32 x 3,0	1,60	2,60

Dim. [mm]	L _{max} [m]	
16 x 2,0	-	2,30
20 x 2,25	-	2,60
25 x 2,5	-	3,00
32 x 3,0	-	3,00



d_a [mm]	R_{min} [mm]	
16	64	64
20	80	80
25	125	125
32	160	-

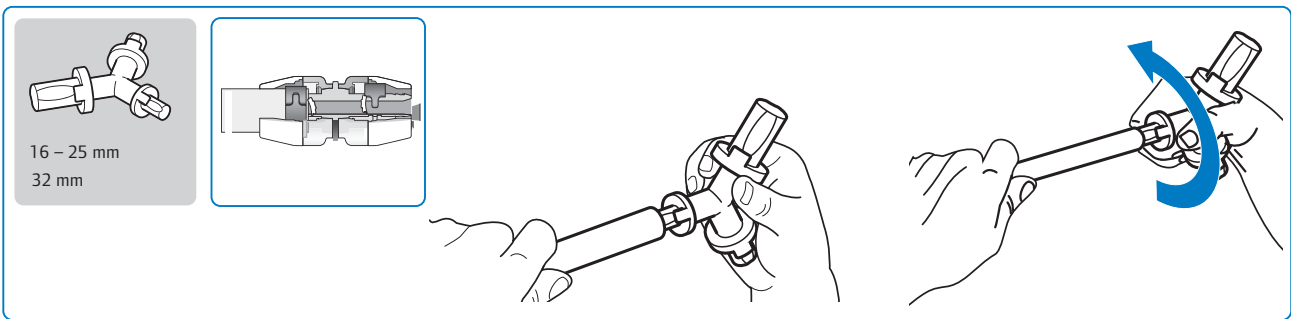
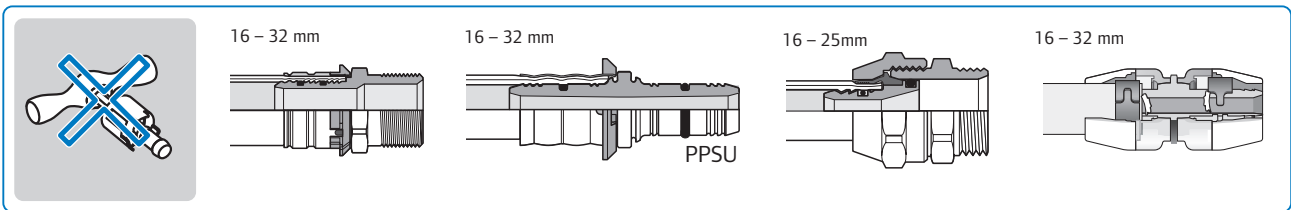
d_a [mm]	R_{min} [mm]	
16	48	48
20	60	60
25	75	75

d_a [mm]	R_{min} [mm]	
16	48	48
20	60	60
25	75	75
32	96	-

d_a [mm]	R_{min} [mm]		L_{90° [mm]
16	32	32	92
20	40	40	88
25	62,5	62,5	92
32	80	80	88

$$\Delta l \text{ [mm]} = \Delta\vartheta \text{ [K]} \cdot 0,025 \left[\frac{\text{mm}}{\text{m} \cdot \text{K}} \right] \cdot L \text{ [m]}$$

$$BS \text{ [mm]} = 30 \cdot \sqrt{d_a \text{ [mm]} \cdot \Delta l \text{ [mm]}}$$

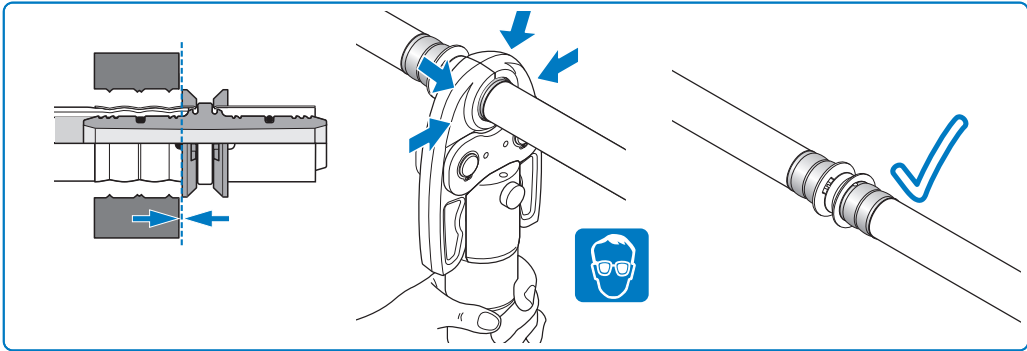
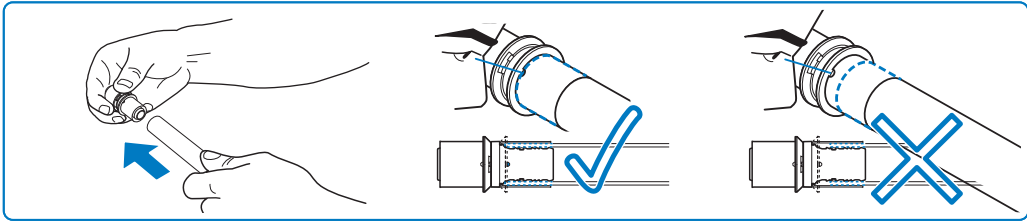


PPSU		UPP1		

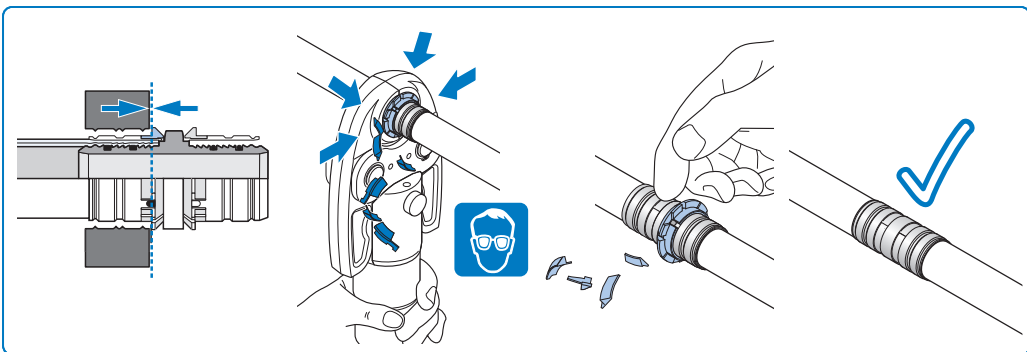
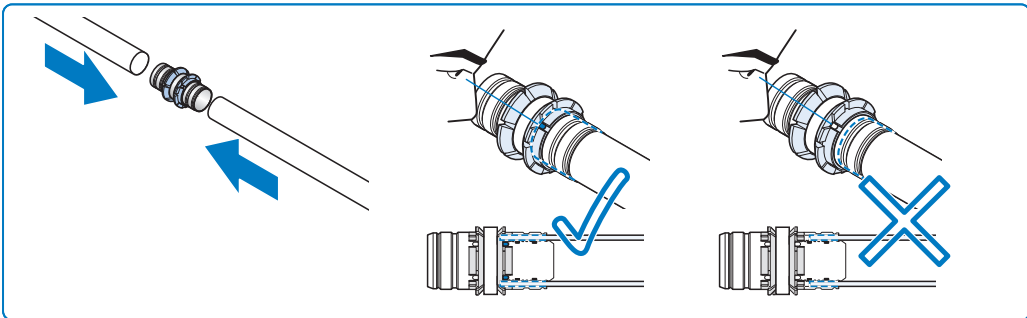
16 – 32 mm

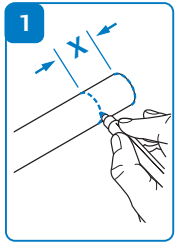


PPSU



16 – 32 mm



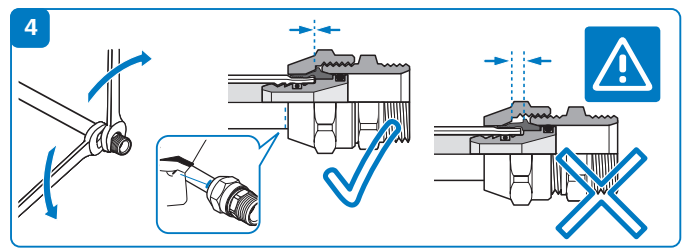
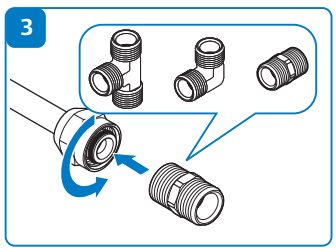
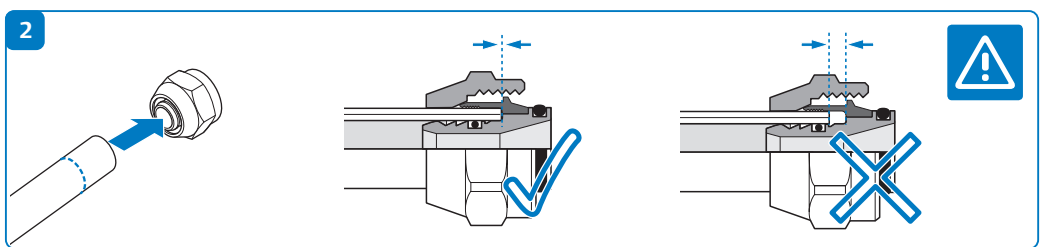


Fitting Dim.	X [mm]
16 – 1/2"	8
20 – 1/2"	10

Fitting Dim.	X [mm]
16 – 3/4"	10
20 – 3/4"	10
25 – 3/4"	11

Fitting Dim. [mm]	X [mm]
NL 16 – 15	8
NL 20 – 22	10
NL 25 – 22	14

Fitting Dim.	X [mm]
16 – M 22	9
16 – M 24	9
16 – 1/2" Geberit	9



16 – 32 mm
RTM

